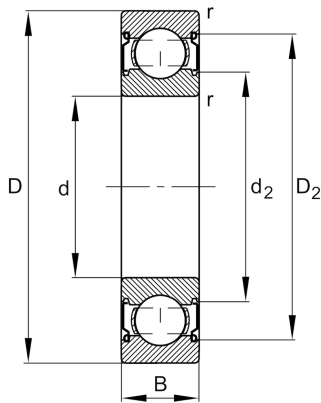
**FAG****6201-C-2Z**

Deep groove ball bearing

Schaeffler ID:  
0956619640000

Deep groove ball bearing 62...-C-2Z, single row, Generation C, shields, steel sheet metal cage

## Technical information

**Dimensions**

$r_{\min}$	0.6 mm	Minimum chamfer dimension
$D_2$	27.9 mm	Caliber diameter outer ring
$d_2$	17.2 mm	Caliber diameter inner ring
	0.036 kg	Weight

**Main Dimensions & Performance Data**

d	12 mm	Bore diameter
D	32 mm	Outside diameter
B	10 mm	Width
$C_r$	8,000 N	Basic dynamic load rating, radial
$C_{0r}$	3,100 N	Basic static load rating, radial
$C_{ur}$	213 N	Fatigue load limit, radial
$n_G$	31,500 1/min	Limiting speed
$n_{gr}$	24,600 1/min	Reference speed

**Mounting dimensions**

$d_{a\min}$	16.2 mm	Minimum diameter shaft shoulder
$D_{a\max}$	27.8 mm	Maximum diameter of housing shoulder
$r_{a\max}$	0.6 mm	Maximum fillet radius

**Calculation factors**

$f_0$	12.3	Calculation factor
-------	------	--------------------

**Temperature range**

$T_{\min}$	-20 °C	Operating temperature min.
$T_{\max}$	120 °C	Operating temperature max.

